

Getting To Know...

# Freestanding Light Panels



## Freestanding Light Panels

Freestanding Light Panels are available in two options, without Bevel & with Bevelled Edge. Without Bevel simply illuminates all of the panels within and the second option has a Bevelled edge, which gives a glowing edge that frames the whole display.

The Freestanding Light Panel is made up of 3 panels sandwiched together, totalling 12/15mm depth:  
Back Panel = 3/5mm  
Clear Centre LED Panel = 6mm  
Front Panel = 3mm  
The panel is mounted using 30° angled brackets. The legs are a standard length of 650mm, this

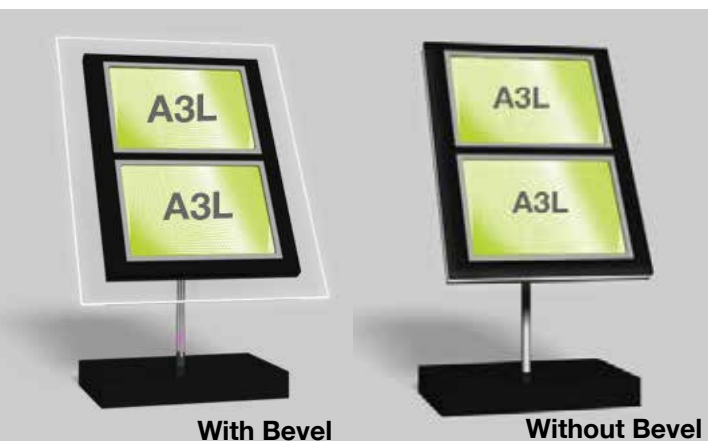
gives a distance from the floor to the bottom of the panel of approximately 300mm (or 350mm without Bevel).

Please specify if you require a different leg length. The feet of the unit and transformer are hidden within a decorative base which comes in black as standard but can be supplied in a different colour on request..

The units are black with silver pockets as standard, but as with so many of our products we can change the colours to suit your requirements.

The pockets have a 15mm silver border which reduces the visible graphic size by approximately 7mm off each edge of the graphic. We would recommend keeping all text & logos 15mm - 20mm from the edges to guarantee visibility.

These pockets are magnetic along the top edge allowing the pocket to open and the graphic to be easily changed.

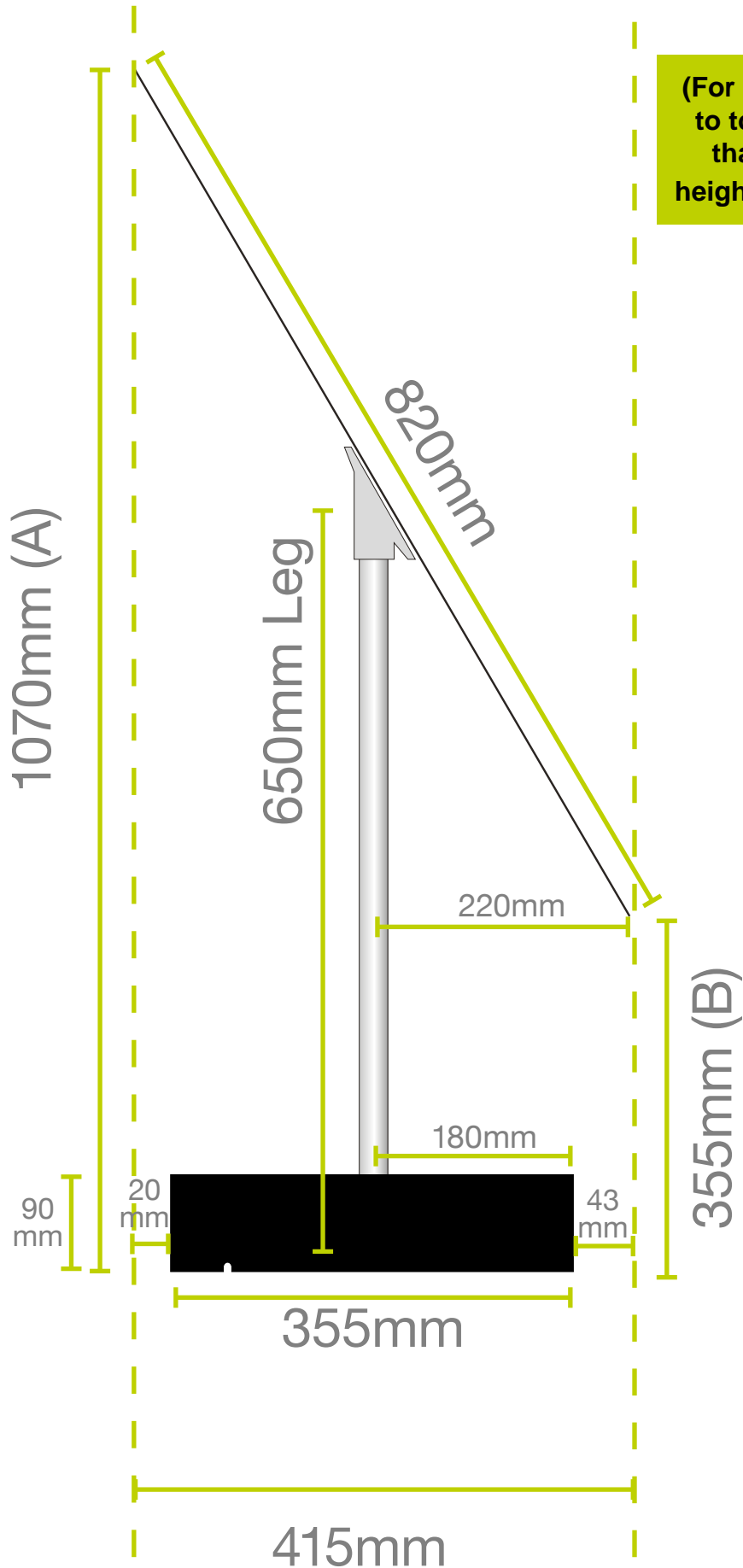


[www.whitelightdisplay.co.uk](http://www.whitelightdisplay.co.uk)

## Freestanding Light Panels - With Bevel

Standard Bevel on all Freestanding Light Panels are:

50mm each side.

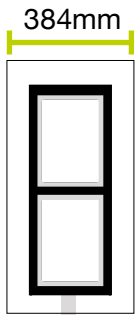


\*This document is intended as a general guide. Always measure your panel to get your cable centre. Dimensions can change slightly due to continued product development.

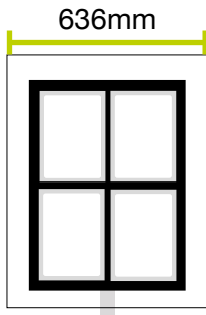
# Freestanding Light Panels - With Bevel

Standard Bevel on all Freestanding Light Panels are:

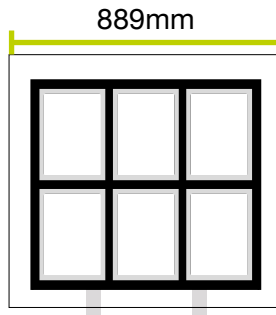
**50mm each side.**



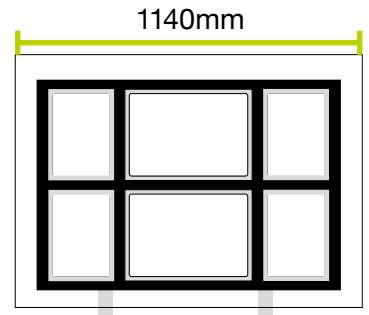
2 x A4



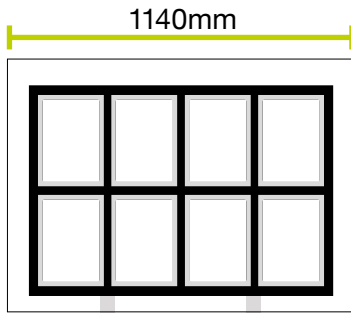
4 x A4



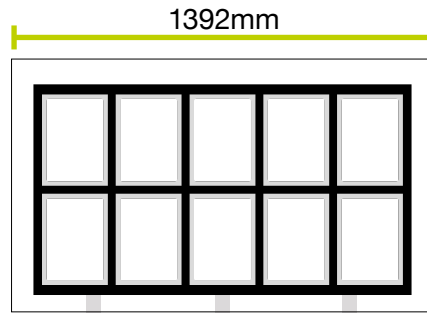
6 x A4



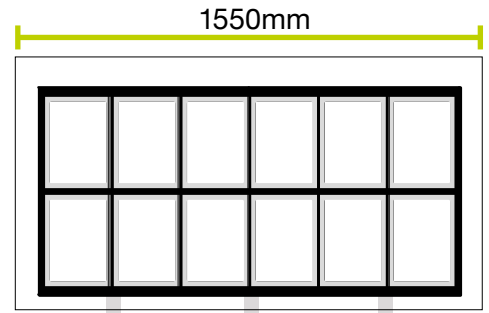
4 x A4 / 2 x A3



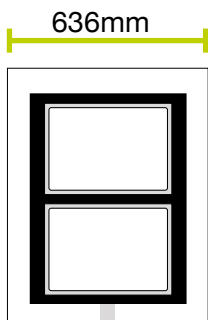
8 x A4



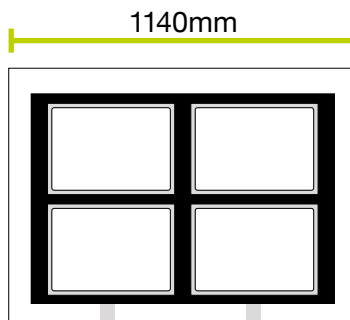
10 x A4



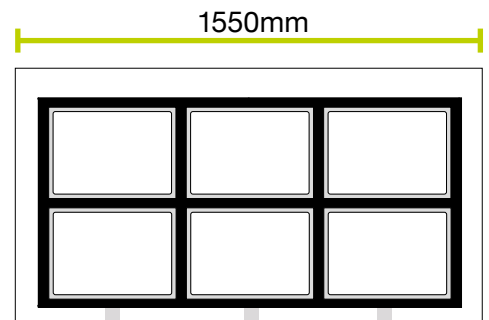
12 x A4



2 x A3



4 x A3



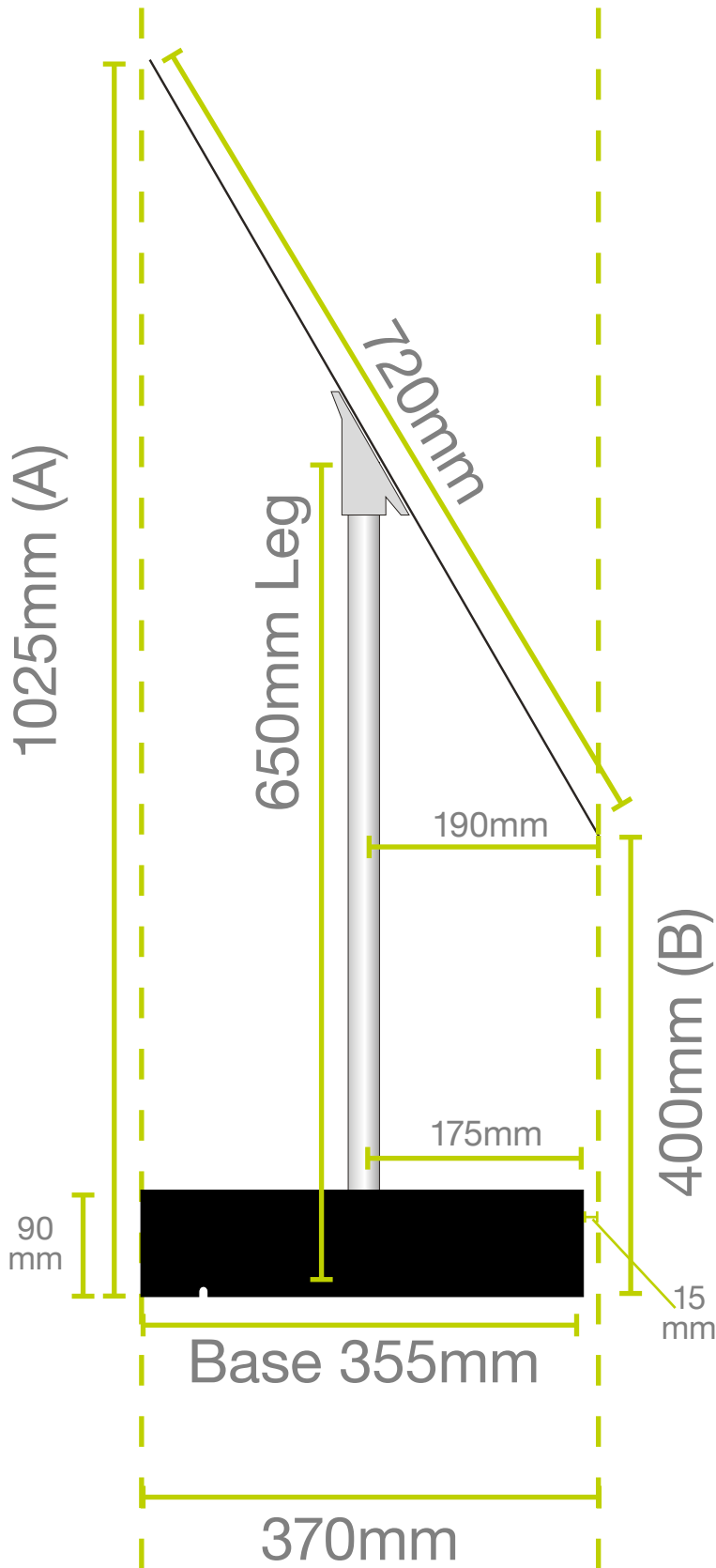
6 x A3

**Height of all:  
820mm**

**(For Engraving ADD 25mm  
to top edgeremembering  
that this will effect the  
height & depth of the panel)**

\*This document is intended as a general guide. Always measure your panel to get your cable centre. Dimensions can change slightly due to continued product development.

# Freestanding Light Panels - Without Bevel

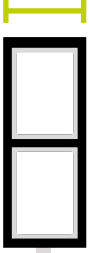


\*This document is intended as a general guide. Always measure your panel to get your cable centre. Dimensions can change slightly due to continued product development.

# Freestanding Light Panels - Without Bevel

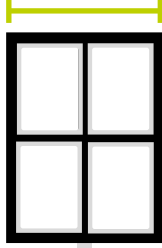
\*This document is intended as a general guide. Always measure your panel to get your cable centre. Dimensions can change slightly due to continued product development.

284mm



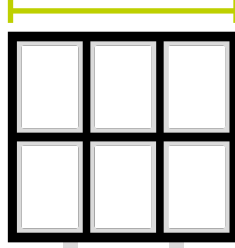
2 x A4

536mm



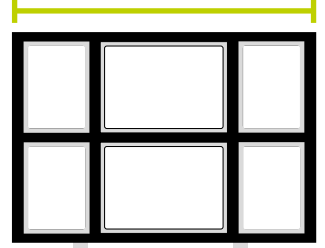
4 x A4

789mm



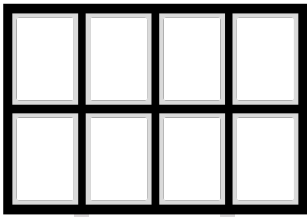
6 x A4

1040mm



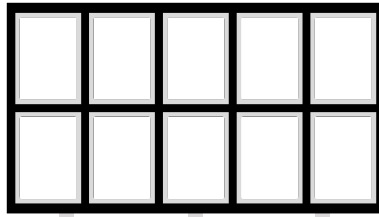
4 x A4 / 2 x A3

1040mm



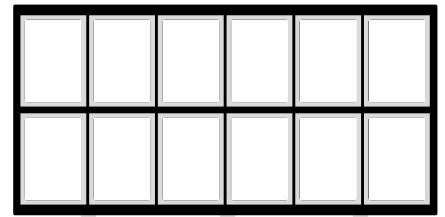
8 x A4

1292mm



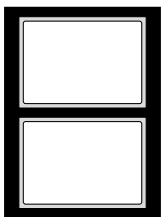
10 x A4

1450mm



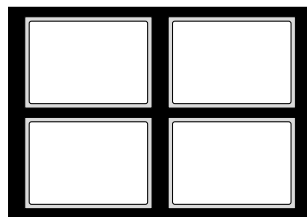
12 x A4

536mm



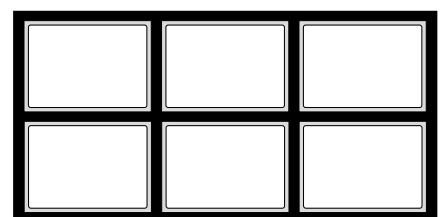
2 x A3

1040mm



4 x A3

1450mm



6 x A3

Height of all:  
720mm